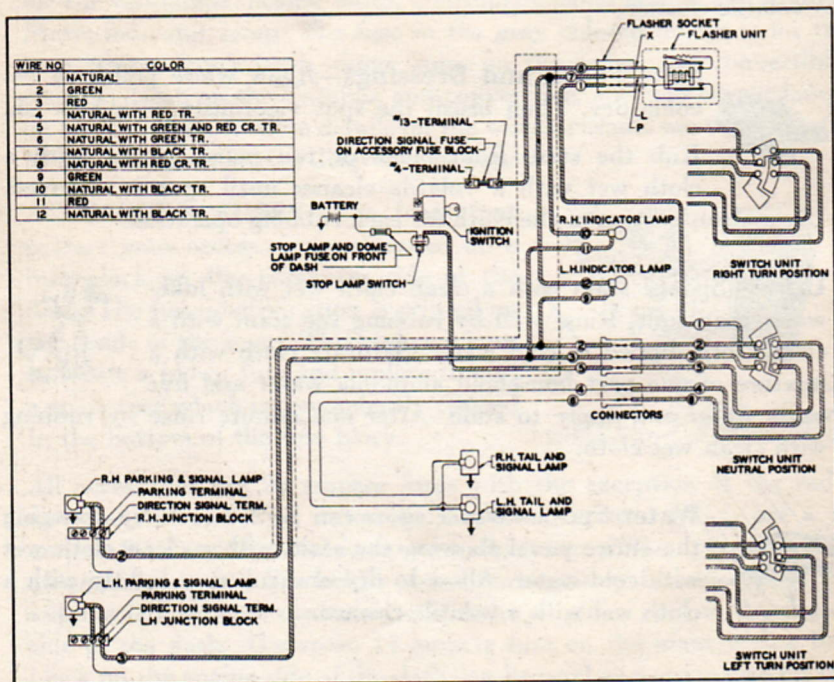




# Wiring Diagrams

We don't like to burden you with technical details, but so many owners have requested wiring diagrams that we have included them for those who are interested in knowing more about the intricate "nervous system" which makes up the electrical system in your Pontiac.

These diagrams are schematic. That means that they are arranged so that you can see which wires inter-connect each switch, lamp, etc. In a schematic diagram the wires are shown separately, while on the car some are enclosed in looms. The legend on the diagrams refer to the color of the wires which should be connected to each terminal.



DIRECTION SIGNAL WIRING DIAGRAM